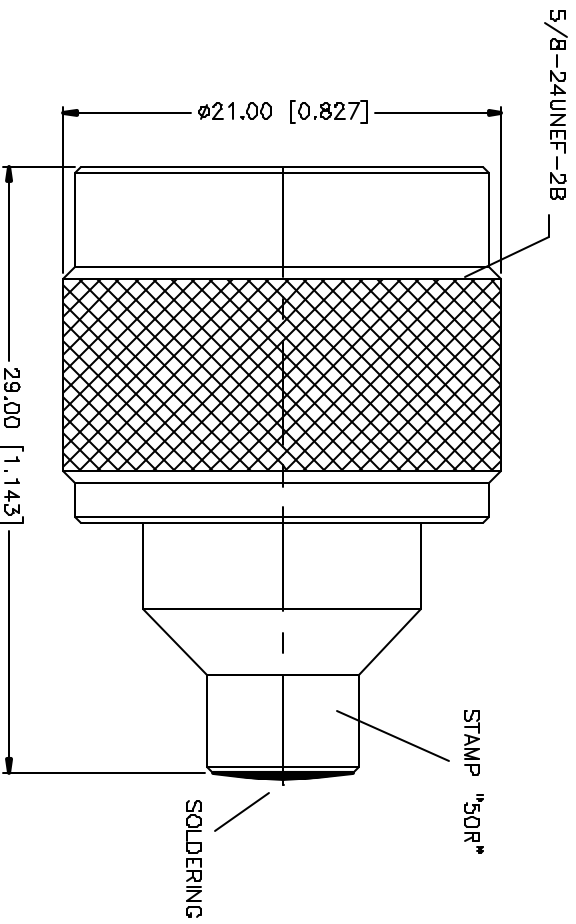


REV.	DATE	DESCRIPTION
A	11/08/04	MODIFY RESISTOR TOLERANCE



NOTE:
RESISTOR TOLERANCE
50ohm 1% 2 WATT

Amphenol Connex

N TERMINATOR PLUG WITH CHAIN

NO.	DESCRIPTION	MATERIAL	FINISH	QTY	UNLESS OTHERWISE SPECIFIED DIMENSIONS ARE IN INCHES AND FOR DIMENSIONS IN MILLIMETERS	APPROVALS	DATE	DWG. NO.	REV. NO.	SIZE	SCALE
B											
7											
6											
5											
4											
3	CONTACT PIN	BRASS	GOLD	1	UNLESS OTHERWISE SPECIFIED DIMENSIONS FOR INCHES ARE .020 - .315 = ± 0.007" .315 - 1.180 = ± 0.015" 1.180 - 4.724 = ± 0.020"	CHECKED					
2	INSULATOR	TETON	NATURAL	1	UNLESS OTHERWISE SPECIFIED DIMENSIONS FOR MILLIMETERS ARE 0.5 - 30mm ± 0.20mm 8 - 30mm ± 0.40mm 30 - 120mm ± 0.50mm	DRAWN	11/08/04	C:/202/202109-10.DWG	NC	A	NA
1	BODY	BRASS	NICKEL	1		SHEET	1 OF 1				
	DESCRIPTION	MATERIAL	FINISH	QTY	DO NOT SCALE DRAWING						